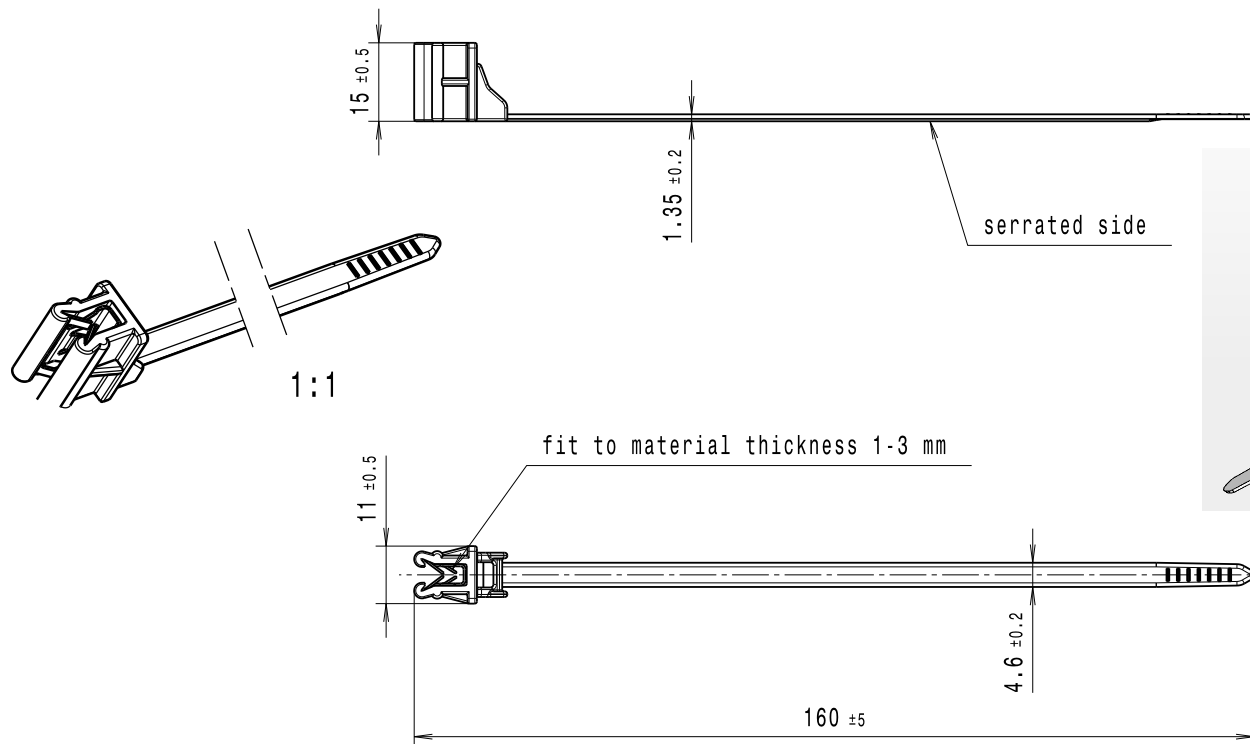


料号 Part No.	品名 Parts Name						
T50SOSEC12E	夹式金属扎带					126-00317	148-00200



DIMENSION	TOLERANCES						DWG. BY	<i>liu liang</i>	UNIT	mm
0.0 0.00	±0.50	B	update tolerances	<i>sullivan</i>	<i>zy.wang</i>	<i>2015/116</i>	CHK. BY	<i>sullivan</i>	REV.	A
FRIST ANGLE PROJ		A	NEW PART	<i>sullivan</i>	<i>zy.wang</i>	<i>2015/110</i>	APP. BY	<i>wang zhiyan</i>	DWG. NO.	T50SOSEC12E
		LTR.	REVISION RECORD	DWG. BY	CHK. BY	DATE	苏州惠华电子科技有限公司			

未经许授权不得修改和复印
该知识产权属于技术质量部