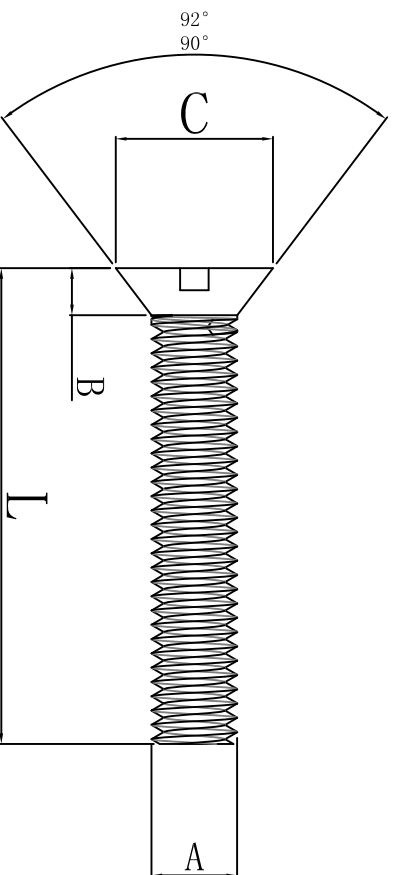


料号 Part NO.	品名 Parts Name	A	Length 长度	B	C	Pitch 螺距
74-PF5-L-FP	十字沉头螺丝	PF5-L-FP	M5 8, 10, 12, 15, 20, 22, 25, 30, 40	2.7	9.3	0.8



◆MATERIAL: NYLON 66(UL)/PC  
◆FLAME CLASS: 94V-2  
◆COLOR: NATURAL



DIMENSION	TOLERANCES	LTR.	NEW PART	DWG. BY	CHK. BY	DATE	DWG. BY	UNIT	mm
0.0 0.00	±0.5	A		<i>oullivan</i>	<i>ya wang</i>	<i>202108</i>	<i>liu liang</i>	UNIT	mm
							<i>oullivan</i>	REV.	A
							<i>wang zhiyan</i>	DWG. NO.	HIWA/QR-JZ-74-PF5-L-FP
								APP. BY	



未经授权不得修改和复印  
该知识产权属于技术质量部;