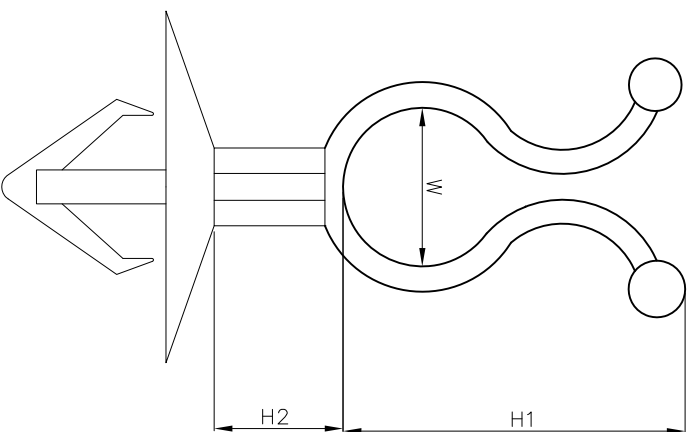


| | | | | | |
|----------------|------------------|----------------|--------|--------|-------|
| 料号 Part NO. | 品名 Parts Name | 型号 Part NO. | H1(mm) | H2(mm) | W(mm) |
| 33-ST-2005 | 隔离扭线环 | ST-2005 | 36.5 | 5.1 | 20.0 |



材质：尼龙66，防火等级94V-2
颜色：白色
孔径： $\varnothing 7.2-7.6$
适用基板厚度：1.8-3.6



未经许可不得修改和复印
该知识产权属于技术质量部

| DIMENSION | TOLERANCES | | | | | | | | | |
|------------------|--------------------|----------|--------------------------------|-----------------|----------------|---------------|--|--|--|--|
| 0.0 | | | | | | | | | | |
| 0.00 | ± 1.0 | | | | | | | | | |
| FRIST ANGLE PROJ | | A | NEW PART | <i>sullivan</i> | <i>zy-wang</i> | <i>202108</i> | | | | |
| | | | REVISION RECORD | | | | | | | |
| DWG. BY | <i>liu liang</i> | UNIT | mm | | | | | | | |
| CHK. BY | <i>sullivan</i> | REV. | A | | | | | | | |
| APP. BY | <i>wang zhiyan</i> | DWG. NO. | HIMA/OR-JZ-33 -HIMA-ST-2005 | | | | | | | |