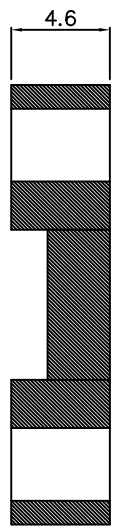
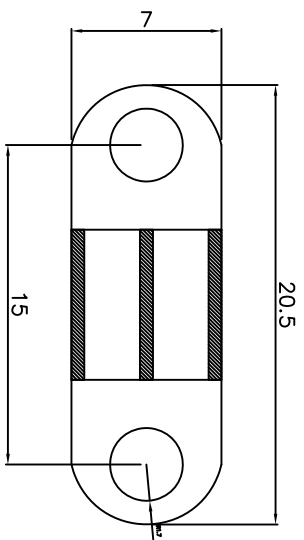


品名 Parts Name	型号 Part NO.
69-台式压线片	台式压线片



材质: NYLON66/PC
公差: ± 0.3

DIMENSION	TOLERANCES						
0.0 0.00	± 0.5						
FIRST ANGLE PROJ		A	NEW PART	<i>william</i>	<i>zy wang</i>	<i>2020/08</i>	
			REVISION RECORD				
DWG. BY	<i>Lin Liang</i>	UNIT	mm				
CHK. BY	<i>william</i>	REV.	A				
APP. BY	<i>wang shiyuan</i>	DWG. NO.	HIWA/OR-JZ-68-台式压线片				



未经授权不得修改和复印
该知识产权属于技术质量部