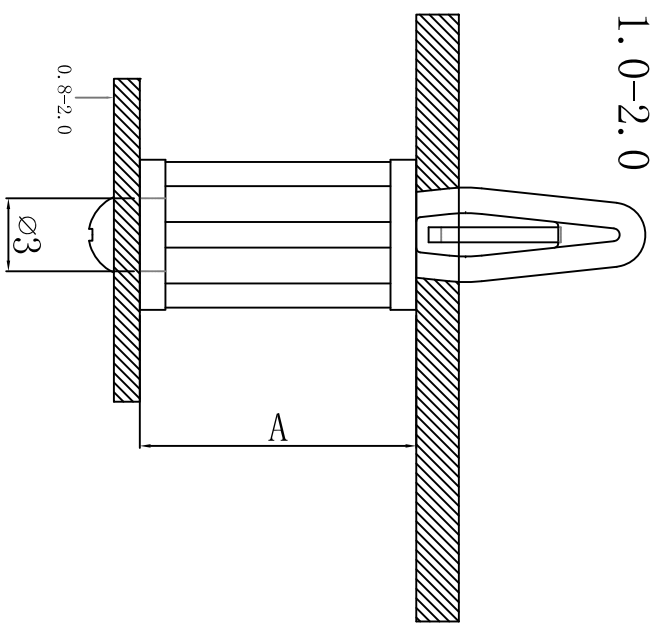


料号 Part NO.	品名 Parts Name	规格	A
34-BBS-13S	间隔柱	BBS-13S	12.9

P. C. B $\phi 4.0$
THICKNESS 1.0-2.0



材质: 尼龙66 (UL)
阻燃等级: 94V-2
颜色: 本色
单位: mm

DIMENSION	TOLERANCES																
0.0 0.00	± 0.5																
FRIST ANGLE PROJ		A	NEW PART	<i>allilian</i>	<i>ya wang</i>	<i>2016108</i>											
		LTR.	REVISION RECORD	DWG. BY	CHK. BY	DATE	DWG. BY	CHK. BY	DATE								



未经并受权不得修改和复印
该知识产权属于技术质量部;

DWG. BY	<i>liu liang</i>	UNIT	mm
CHK. BY	<i>allilian</i>	REV.	A
APP. BY	<i>wang zhiyan</i>	DWG. NO.	HIWA/QR-JZ-34-BBS-13S

HIWA 惠州惠华电子科技有限公司