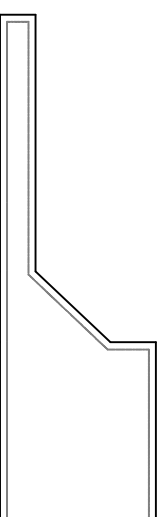
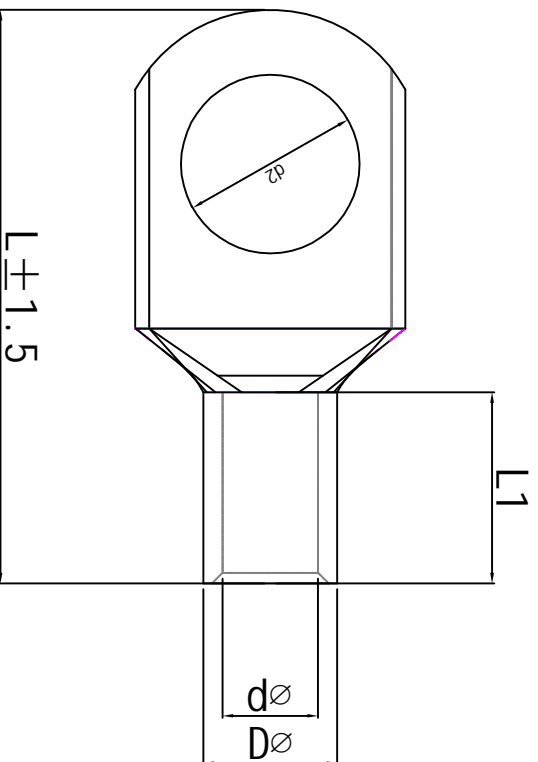


料号 material No.	品名 Parts Name	型号 Part NO.	螺钉口直径 Screw dia. d2 \varnothing	Dimensions(mm)			导线截面 Cable size (mm ²)
40-SC16-8	窥口铜接线端子	SC16-8	8.4	d \varnothing	D \varnothing	L1	L
				5.7	7.5	11.0	29.5
							16



材质：紫铜
表面处理：镀锡



未经授权不得修改和复印
该知识产权属于技术质量部

DIMENSION		TOLERANCES		DWG. BY		UNIT	mm
0.0				liu liang			
0.00		± 0.5		CHK. BY	sullivan	REV.	A
FIRST ANGLE PROJ		A		APP. BY	wang zhiyan	DWG. NO.	HIM/A/QR-JZ-40-SC-16-8
NEW PART REVISION RECORD		sullivan		zy wang		2020/08	