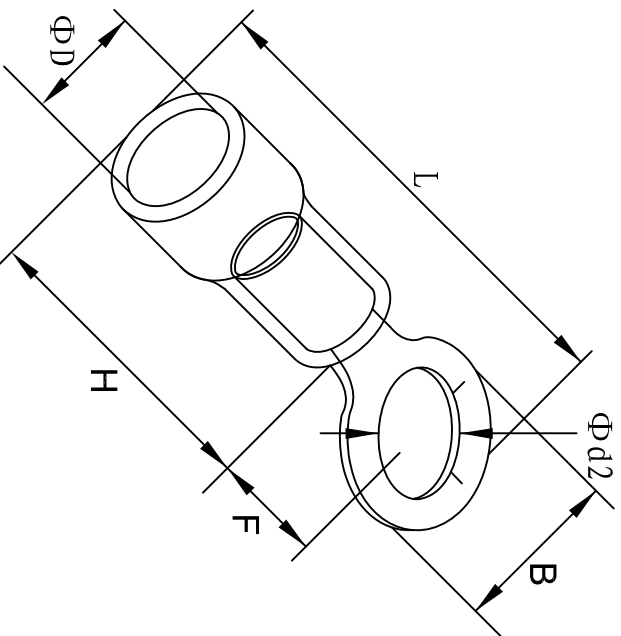


| | | | | | | | | | |
|--------------------|------------------|----------------|----------------------------|-----------------|-------|-----|------|-----|--------------------|
| 料号 material No. | 品名 Parts Name | 型号 Part NO. | 螺钉口直径 screw dia. d2∅ | Dimensions (mm) | | | | | 美制螺钉号 USA screw |
| 40-RVS 3.5-5 | 圆形预绝缘端头 | RVS 3.5-5 | 5.3 | B | L±1.5 | F | H | DΦ | #10 |
| | | | | 8.0 | 24.5 | 7.7 | 13.0 | 6.2 | |



导线截面: 2.5-4mm² (美国线规14-12)
 最大电流: I_{max}=37A
 材 质: 紫铜镀, PVC
 材料厚度: 1.0mm
 颜色: 黑色
 公差: ±0.5mm



| DIMENSION | TOLERANCES | REVISION RECORD | | | | DWG. BY | CHK. BY | APP. BY | UNIT | REV. | DWG. NO. |
|------------------|------------|-----------------|-----------------|------|----|---------|---------|---------|------|------|----------|
| | | NEW PART | REVISION RECORD | DATE | BY | | | | | | |
| 0.0 0.00 | ±0.5 | A | | | | | | | | | |
| FIRST ANGLE PROJ | | | | | | | | | | | |
| | | | | | | | | | | | |

未经许可不得修改和复印
 该知识产权属于技术质量部