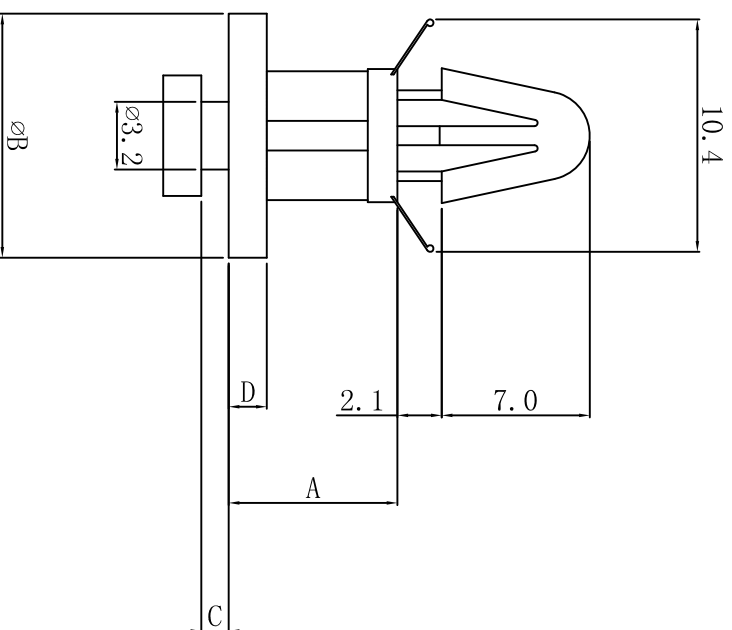


料号 Part NO.	品名 Parts Name	规格	A	B	C	D
34-ACB-6	间隔柱	ACB-6	6.3	11.6	1.3	1.8

P. C. B $\varnothing 4.0$
THICKNESS 1.2-1.7



材质: 尼龙66 (UL)
阻燃等级: 94V-2
颜色: 本色
单位: mm

DIMENSION	TOLERANCES	NEW PART		DWG. BY	CHK. BY	DATE
0.0 0.00	± 0.5	A		<i>alliuian</i>	<i>ya wang</i>	<i>201108</i>
FRIST ANGLE PROJ		LTR.	REVISION RECORD			
DWG. BY	CHK. BY	APP. BY	REV.	DWG. NO.	HIWA/QR-JZ-34-ACB-6	
<i>liu liang</i>		<i>wang zhiyan</i>				
<i>alliuian</i>						



未经受权不得修改和复印
该知识产权属于技术质量部;