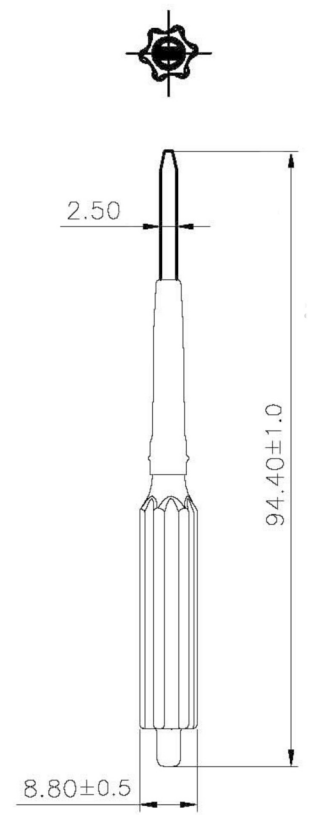
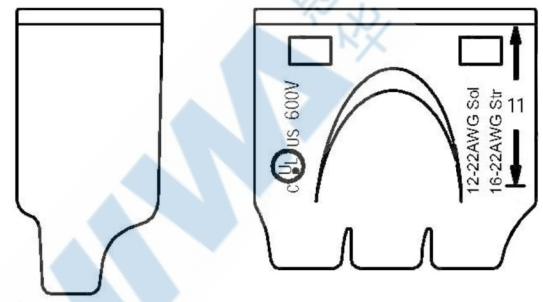
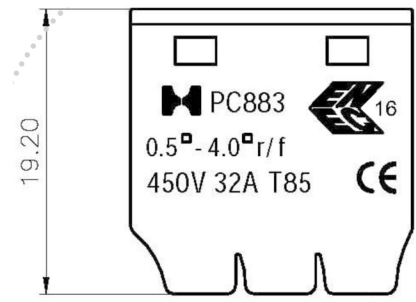
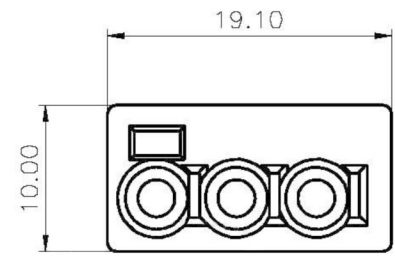


料号 Part NO.	品名 Parts Name	规格
----------------	------------------	----

41-F01-PC883	推线式连接器	PC883
--------------	--------	-------



Housing Material: Polycarbonate (PC) and Polyamide 66 (PA66), flame-retardant to UL 94V-0  
 Current: 32A (IEC)  
 Voltage: 450V (IEC), 600V (UL)  
 Working Temp: T85 (IEC), 105°C (UL)  
 Stripping Length: 11mm  
 Wire Range: 0.5-4.0MM<sup>2</sup>, Rigid (IEC), #20-#12 AWG, Sol Cu, #22-#16 AWG, Str Cu (UL)



未经许受权不得修改和复印  
 该知识产权属于技术质量部;

DIMENSION	TOLERANCES					
.0 .00	±0.5					
FRIST ANGLE PROJ		A	NEW PART	sullivan	zy.wang	2019/05/110
		LTR.	REVISION RECORD	DWG. BY	CHK. BY	DATE

DWG. BY	liu liang	UNIT	mm
CHK. BY	sullivan	REV.	A
APP. BY	wang zhiyan	DWG. NO.	HIWA/QR-JZ-41-F01-PC883

**HIWA** 苏州惠华电子科技有限公司