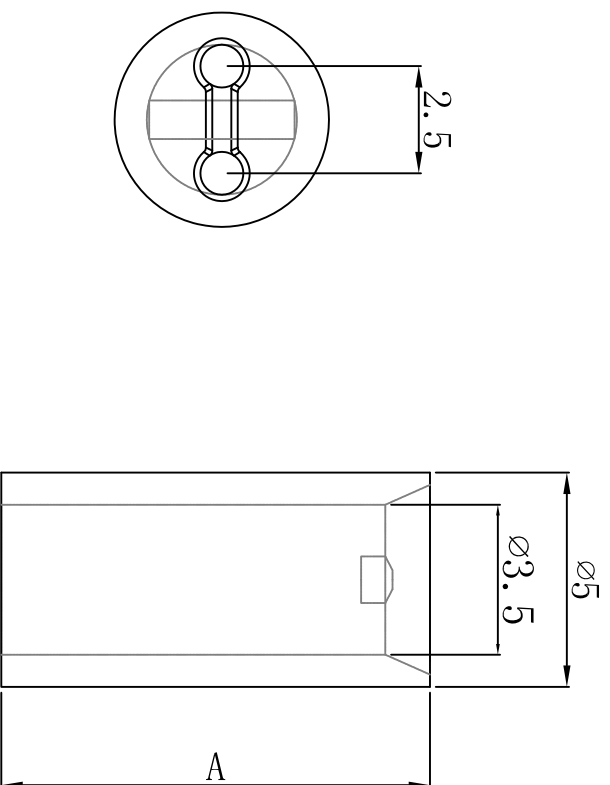


料号 Part NO.	品名 Parts Name	A (MM)
34-LED-2.5	间隔柱 LED-2.5	2.5



MATERIAL: NYLON 66 (UL)
 FLAME CLASS: 94V-2
 COLOR: NATURAL (白色)
 UNIT: mm

用途: 用于保护LED立于PC板上, 使高度一致, 中间隔板设计, 接脚不会弯曲、折断、短路。

公差要求: 未标注公差±0.3



未经受权不得修改和复印
 该知识产权属于技术质量部;

DIMENSION	TOLERANCES	NEW PART		DWG. BY	CHK. BY	DATE	DWG. BY	CHK. BY	DATE
0.0 0.00	±0.3	A		<i>william</i>	<i>zy wang</i>	<i>2011/25</i>	<i>william</i>	<i>zy wang</i>	<i>2011/25</i>
FIRST ANGLE PROJ		LTR.	REVISION RECORD						

DWG. BY	<i>Lin Liang</i>	UNIT	mm
CHK. BY	<i>william</i>	REV.	A
APP. BY	<i>wang ziyuan</i>	DWG. NO.	HIWA/QR-JZ-34-LED-2.5