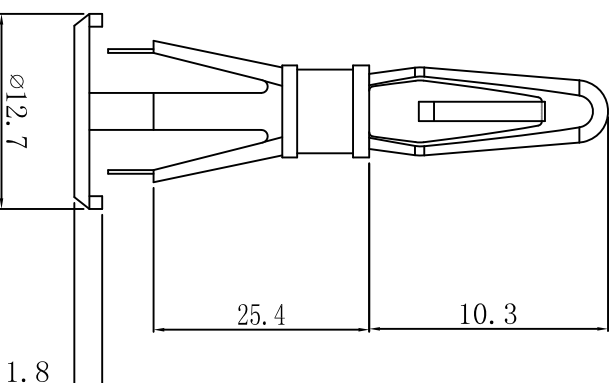


料号 Part NO.	品名 Parts Name
34-RCWA-25.4	PCB板间隔柱 RCWA-25.4

PCB  $\varnothing 4.0$   
thickness 厚度: 1.6



CHASSIS  $\varnothing 5.4$   
thickness 厚度: 1.5-1.6

- ◆ MATERIAL: NYLON 66(UL)
- ◆ FLAME CLASS: 94V-2
- ◆ COLOR: NATURAL
- 用途: 固定PC板于机板上, 不会突出板底部, 外观表面。

DIMENSION	TOLERANCES																		
0.0 0.00	$\pm 0.30$																		
PRIST ANGLE PROJ		A	NEW PART	<i>cauliuian</i>	<i>yan wang</i>	<i>201008</i>													
		LTR.	REVISION RECORD	DWG. BY	CHK. BY	DATE													
DWG. BY	<i>lin liang</i>	UNIT	mm	CHK. BY	<i>cauliuian</i>	REV.	A	APP. BY	<i>wang zhiqian</i>	DWG. NO.	HIWA/QR-JZ-34-RCWA-25.4								



未经并受权不得修改和复印  
该知识产权属于技术质量部;