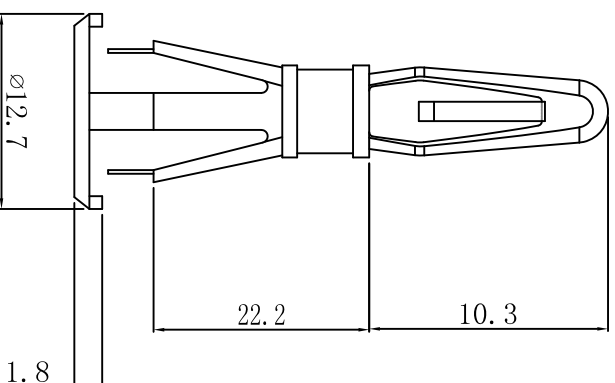


料号 Part NO.	品名 Parts Name
34-RCWA-22.2	PCB板间隔柱 RCWA-22.2

PCB $\varnothing 4.0$
thickness 厚度: 1.6



CHASSIS $\varnothing 5.4$
thickness 厚度: 1.5-1.6

- ◆ MATERIAL: NYLON 66(UL)
- ◆ FLAME CLASS: 94V-2
- ◆ COLOR: NATURAL
- 用途: 固定PC板于机框上, 不会突出机框底部, 外观表面。

DIMENSION	TOLERANCES	REVISION RECORD				DATE	DWG. BY	CHK. BY	APP. BY	UNIT	mm
		LTR.	NEW PART	DWG. BY	CHK. BY						
0.0 0.00	± 0.30	A		<i>wallian</i>	<i>yan wang</i>	<i>20108</i>			<i>liu liang</i>		
FRIST ANGLE PROJ 									<i>wang zhiyan</i>	DWG. NO.	HIWA/QR-JZ-34-RCWA-22.2
										CHK. BY	<i>wallian</i>
										DWG. BY	<i>liu liang</i>



未经并受权不得修改和复印
该知识产权属于技术质量部;